

we
are
arco

we
make
tables

product
Enso

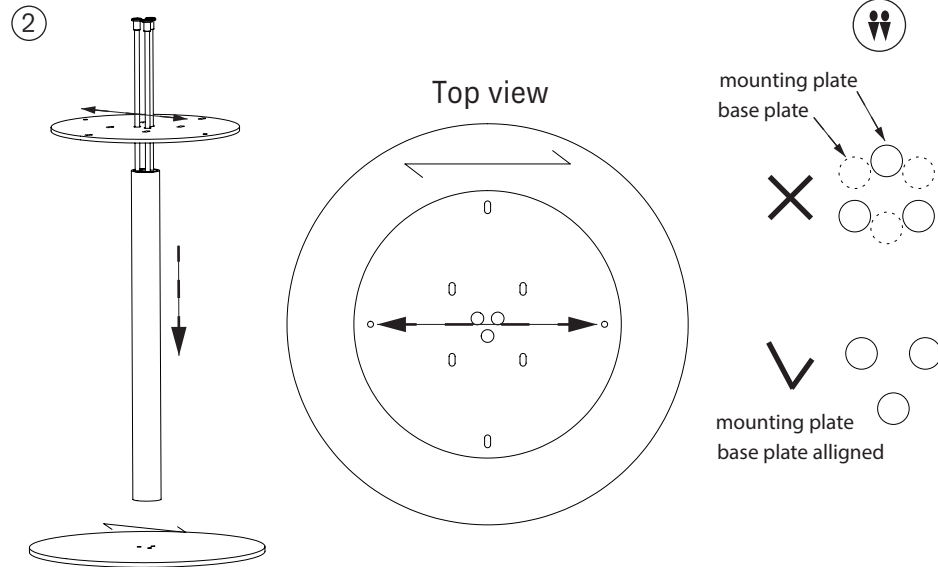
designer
Arco Design Studio

year
2024

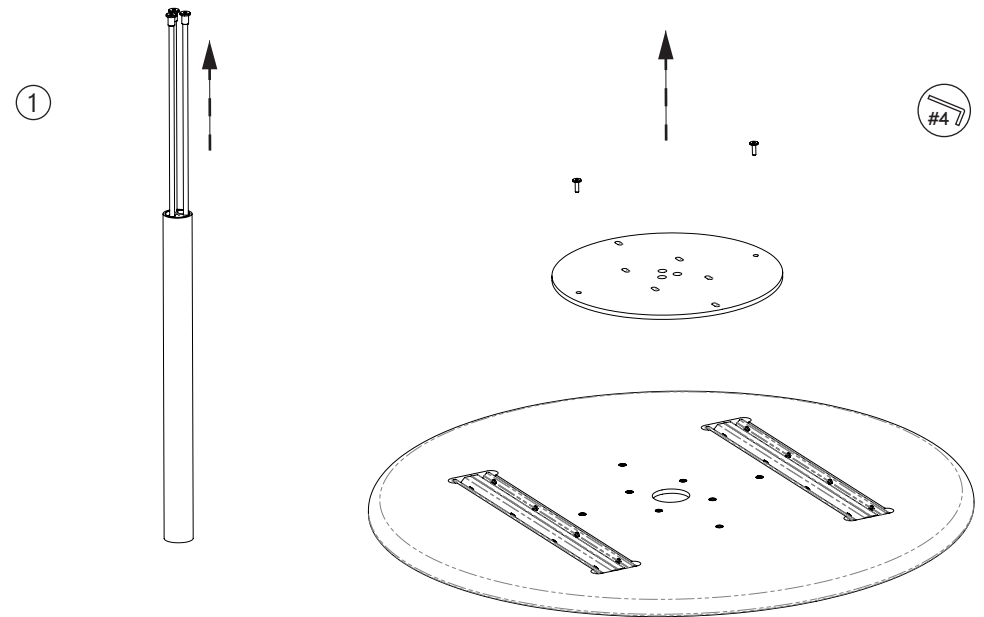
Assembly instructions: please follow step 1 - 5.



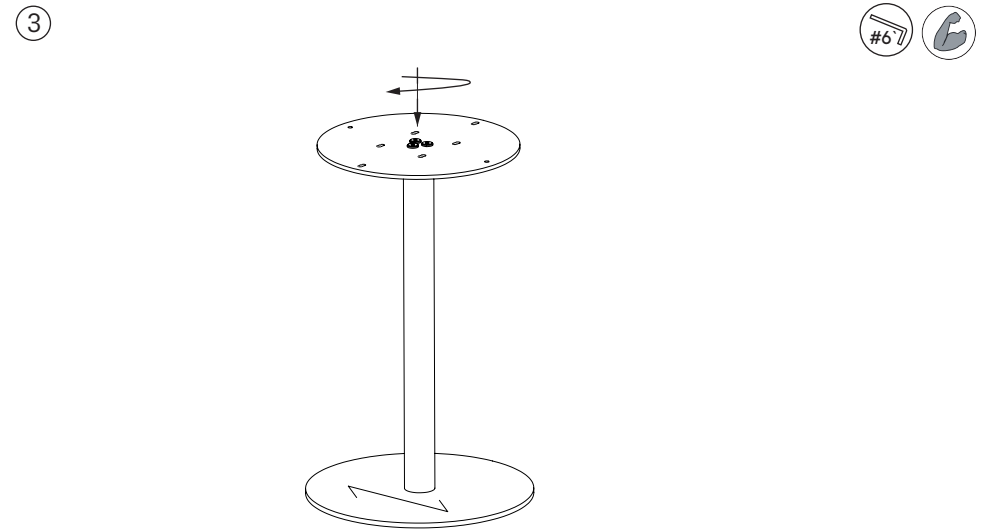
arco



Please note: with a wooden base plate, the grain direction of the base plate must be aligned with the round holes in the mounting plate



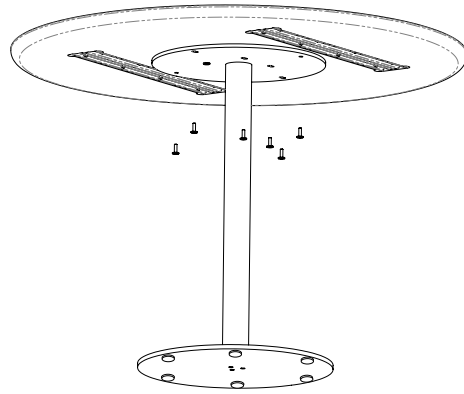
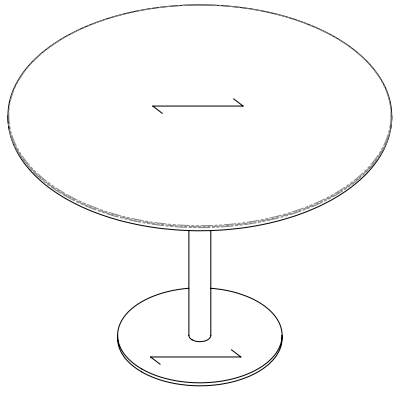
Remove the mounting plate from the tabletop,
and the threaded rods from the column



Tighten the threaded rods as tightly as possible

4

m6x20



Place the top on the table and align it with the grain direction of the wooden base plate. Then tighten the bolts

5

